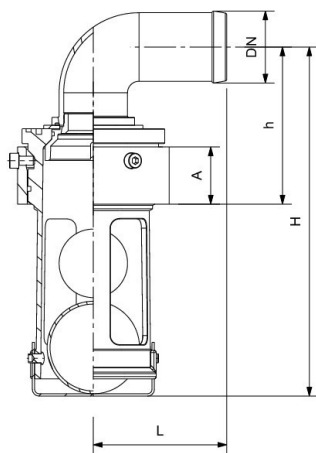




## RIV 410

Primary shut-off valve with double ball  
 Compact model

### Tech drawings and tables



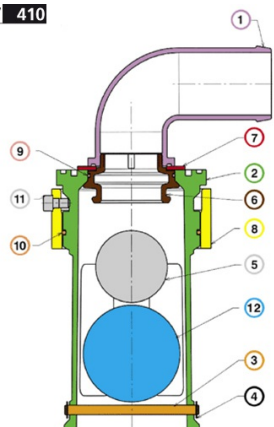
DN	Code	H	h	L	A	PN	KG	P/box
60	050410000055	306	138	117	50	3bar - 45psi	2,781	1
80	050410000061	353	136	132	52	3bar - 45psi	4,172	1

### Advantages

- 360° orientation
- Techno-polymer basket for a better crash- and corrosion resistance

## Technical data

RIV 410



Materials			
1	Hose Connection	Aluminium	
2	Basket	PP	
3	Rivet	Brass	CW614N
4	Bracket	Stainless Steel	AISI 430
5	Ball	EPDM	
6	Seat	Brass	CB754S
7	Screwed ring	Steel	
8	O-Ring	NBR	
9	O-Ring	NBR	
10	Screw	Stainless Steel	AISI 304
11	Ball	PEHD	

### Connections

Hose-connection

### Limit

-20°C (without liquid) +90°C

### Notes

The max.working pressure (PN) means at a room temperature of about 23°C.